

# ENGINEER TO ORDER

SPECIAL PROJECT INFORMATION SHEET



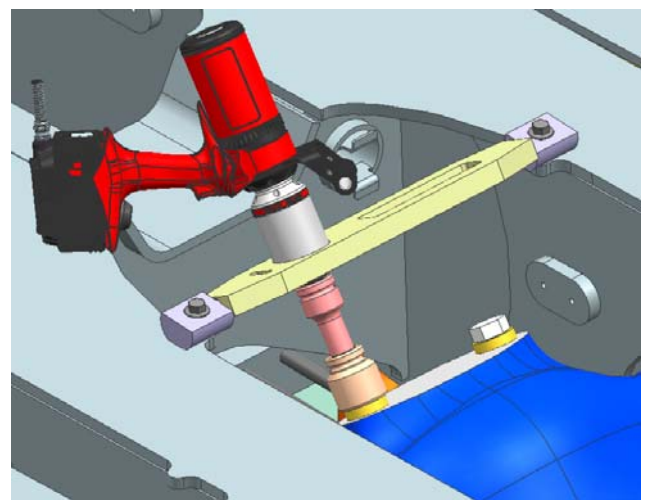
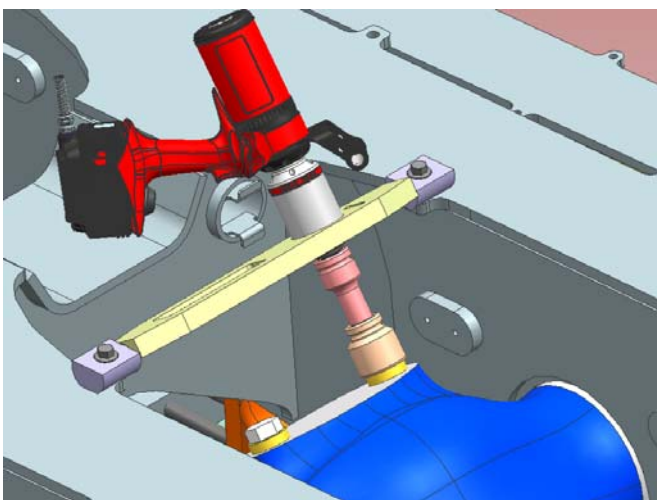
Project Description	Pivoting reaction & nut arrest tool for use with ET2-80-2700		
Date created	February 2019	Project Number	Q4613

## INTRODUCTION & APPLICATION

Commercial vehicle builder application; chassis assembly of M30 46mm A/F hexagon head bolts to 1,600 N.m. Long reach to application hence ergonomics and operator safety are paramount.

## SOLUTION

EvoTorque ET2-80-2700 with special pivoting reaction, long socket and nut arrest tool. The pivoting reaction bolts to existing chassis fixing holes & is reversed for bolts A/B.



## TECHNICAL SPECIFICATION / DATA HIGHLIGHTS

The reaction is bolted to the chassis for ease of operation, and to prevent injury risk to operator. The nut arrest tool spans both nuts on the underside, and includes retention / release bolts.